

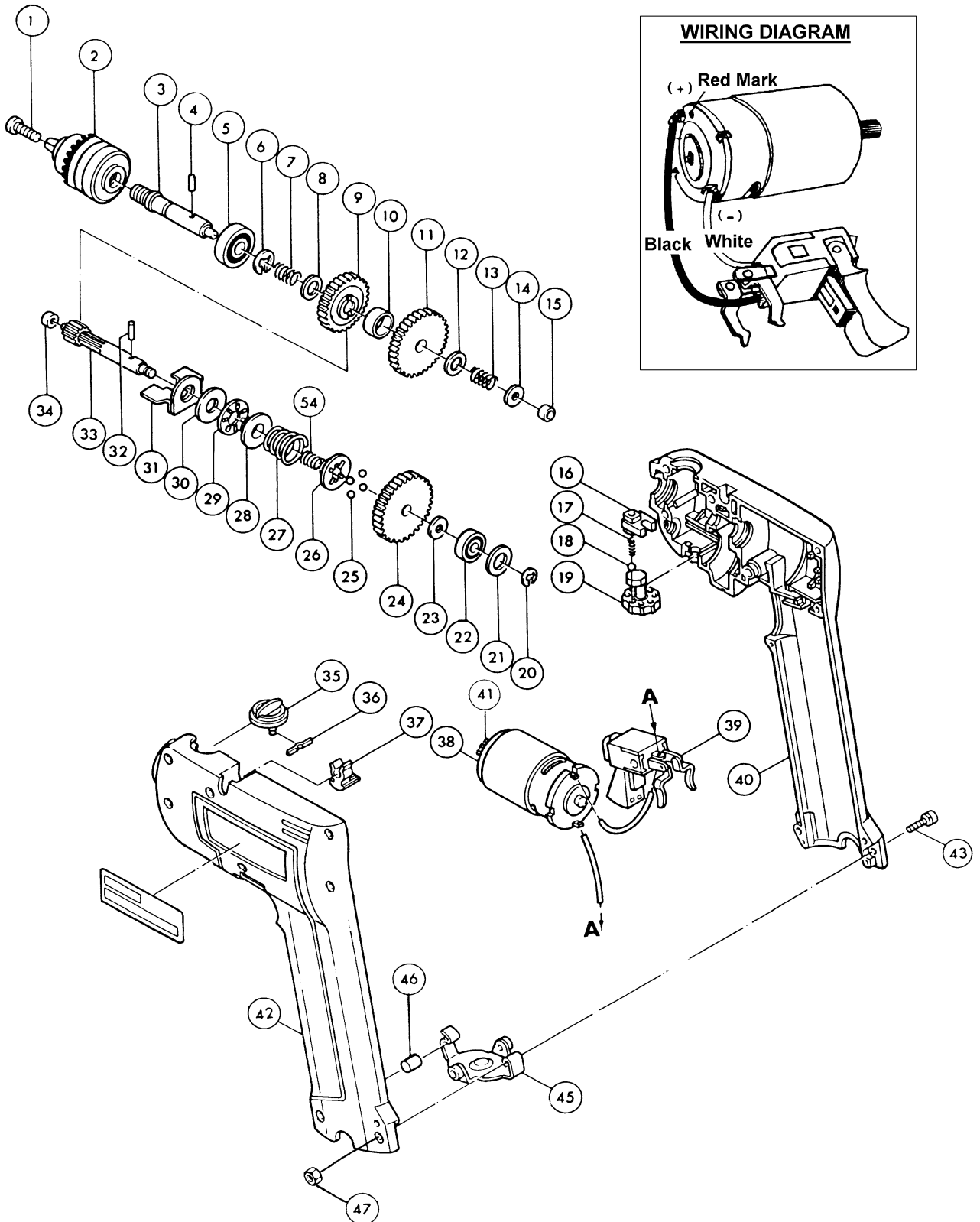


3/8" CORDLESS DRILL Model 6012HD* (MJ)
(Discontinued in 1995)

Model 6012HDL (MJ, MCA, MCP)

Model 6012HDQ* (MJ)
(Discontinued 1993)

Model 6012HDW (MJ, MCA, MCP)
Model 6012HDW-E (MCA, MCP)

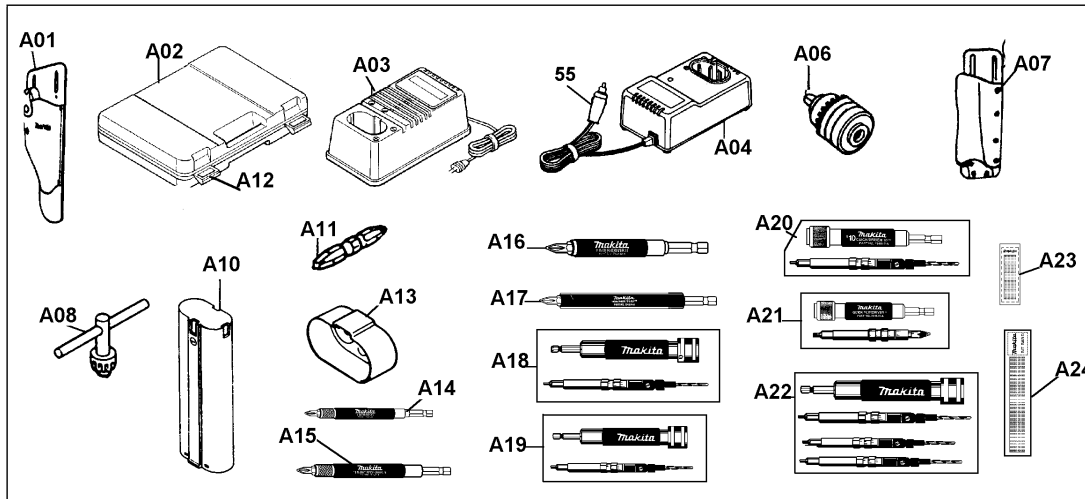


Item No.	Part No.	No. Used	Description	Item No.	Part No.	No. Used	Description
1	251448-1	1	(-) P.H. Screw M5x18 (MJ)	Accessories			
	265996-4	1	Hex Screw M5x19(MCA & MCP)	A01	823033-3R	1	Leather Holster, Right Handed
3	*	1	Spindle		823033-3L	1	Leather Holster, Left Handed
4	256101-4	1	Pin 3		823033-G	1	45° Tool Holster (Genuine Leather)
5	211061-7	1	Ball Bearing 6000LLB		823033-F	1	45° Tool Holster (Synthetic Leather)
6	*	1	Retaining Ring/Stop Ring *	A02	824393-9	1	Plastic Carrying Case (With Item A12)
7	231250-8	1	Compression Spring 10		182428-5	1	(6012HDW/HDW-E/HDL)
8	253330-0	1	Thin Washer 10				Metal Carrying Case(6012HDQ*)
9	221862-5	1	Spur Gear 78	A03	DC9710	1	Charger DC9710 For 7.2V & 9.6V, 1.3Ah
10	257073-6	1	Ring 16				Batteries
11	221884-5	1	Spur Gear 93		DC1470	1	Charger DC1470 For 7.2V ~ 14.4V, 1.3Ah
12	253330-0	1	Thin Washer 10				Ni-Cad Battery
13	231250-8	1	Compression Spring 10		DC1411	1	Charger DC1411 For 7.2V ~ 14.4V, 1.3Ah
14	253807-5	1	Flat Washer 5				~ 3.0Ah Ni-Cad & Ni-MH Batteries
15	214017-9	1	Plane Bearing 5		DC1803	1	Charger DC1803 For 7.2V ~ 18V, 1.3Ah ~
16	411953-2	1	Shift Knob Supporter				3.0Ah Ni-Cad & Ni-MH Batteries
17	231026-3	1	Compression Spring 4 (MJ)	A04	113076-9	1	Automotive Charger DC9012 For 9.6V
	231317-2	1	Compression Spring 3(MCA & MCP)				1.3Ah Battery (Includes Item 55)
18	216002-8	1	Steel Ball 4.8		DC1422	1	Automotive Charger DC1422 For 7.2V ~
19	152178-6	1	Shift Knob				14.4V, 1.3Ah ~ 3.0Ah Ni-Cad & Ni-MH
20	961002-0	1	Retaining Ring S-6				Batteries (Includes Item 55)
21	253842-3	1	Flat Washer 14		DC1822	1	Automotive Charger DC1822 For 7.2V ~
22	211016-2	1	Ball Bearing 626LLB				18V, 1.3Ah ~ 3.0Ah Ni-Cad & Ni-MH
23	253804-1	1	Flat Washer 6 **				Batteries (Includes Item 55)
24	221883-7	1	Spur Gear 89 **	A06	763054-5	1	Drill Chuck S10
25	216002-8	4	Steel Ball 4.8		192016-0	1	3/8" Keyless Drill Chuck
26	223059-2	1	Clutch Cam		763110-1	1	3/8" Keyless Chuck - Bulk
27	231927-5	1	Conical Compression Spring 16-21	A07	823033-3C	1	Battery Holster
28	341902-4	1	Disc	A08	763418-3	1	Chuck Key S10
29	216401-4	1	Thrust Needle Gauge 1023(MJ)	A10	632007-4	1	9.6V Ni-Cad 1.3Ah Battery 9000
	216413-7	1	Thrust Needle Bearing 1023 (MCA & MCP)		192533-0	1	9.6V Ni-Cad 2.0Ah Battery 9002
30	253851-2	1	Flat Washer 8		192696-2	1	9.6V Ni-MH 2.2Ah Battery 9033
31	164625-5	1	Slider	A11	- - - -	1	Bit (See Catalogue for Details)
32	256119-5	1	Pin 3	A12	A00182-5	2	Snap Lock (M)
33	226062-2	1	Gear 12-28	A13	414938-7	1	Battery Cover
34	214019-5	1	Plane Bearing 4	A14	784810-A	1	Finder/Driver
35	168096-8	1	Shifter	A15	784811-A	1	Stubby Finder/Driver
36	232053-3	1	Leaf Spring	A16	784812-A	1	Finder/Driver II
37	411640-3	1	Holder 6	A17	784814-A	1	Vision Finder/Driver
38	*	1	Motor 9.6V D.C. (Includes Item 41)	A18	784815-A	1	Quickdriver 6
39	651814-6	1	Double Pole Switch	A19	784816-A	1	Quickdriver 8
40	*	1	Housing (R)	A20	784817-A	1	Quickdriver 10
41	221882-9	1	Spur Gear 15	A21	784818-A	1	Quick Flip Driver
42	*	1	Housing (L)	A22	784822-A	1	4pc Quickdriver
43	*	8	P.H. Screw M4x22 (With Washer)	A23	122237-A	1	Bit Patch Holder
45	163157-9	1	Set Plate (With Rubber)	A24	122238-A	1	Bit Band Holder
46	*	1	Sleeve 5				
47	*	8	Hex Nut M4				
54	231338-4	1	Compression Spring 8				
55	655000-B	1	Cigarette Lighter Plug				

* SEE SERVICE CHANGES

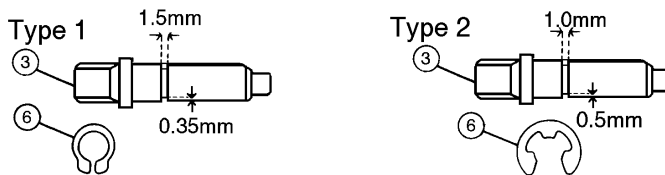
** SEE SERVICE NOTE

2 Model 6012HD *
2 Model 6012HDL
2 Model 6012HDQ *
2 Model 6012HDW
2 Model 6012HDW-E



SERVICE CHANGE

1. Change on Spindle and Retaining Ring.



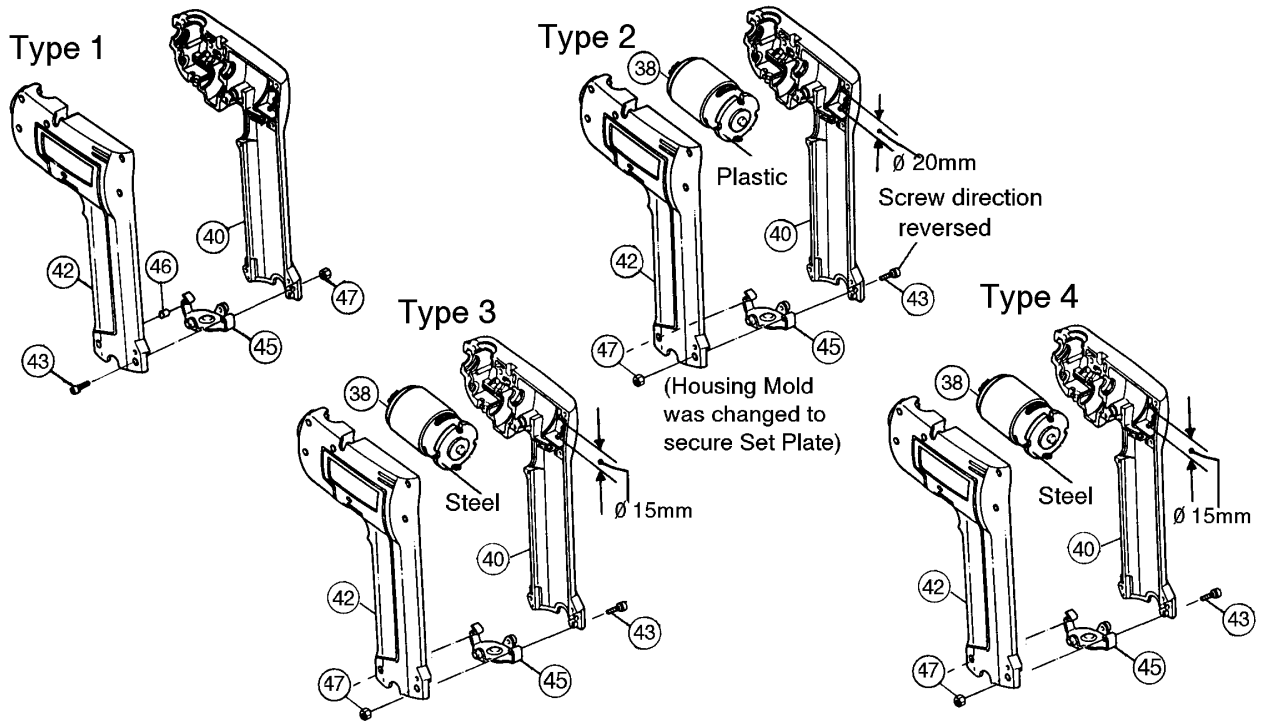
Item No.	Description	Type	
		Type 1	Type 2
3	Spindle	321202-8 (No Longer Available)	321723-0
6	Retaining Ring/Stop Ring	961006-2 (Retaining Ring S10)	961015-1 (Stop Ring E9)

Above parts are completely interchangeable as a set.

When replacing Type 1 Spindle, replace it with complete set of Type 2 parts.

3 Model 6012HD *
 3 Model 6012HDL
 3 Model 6012HDQ *
 3 Model 6012HDW
 3 Model 6012HDW-E

2. Change on Housing, Sleeve, P.H. Screw and Motor.



Item No	Description	Type 1	Type 2	Type 3	Type 4
38	Motor 9.6V D.C.	629522-7 (No Longer Available)		629581-1	
40	Housing (R)	411951-6 (No Longer Available) (Includes Item 47)	410277-3 (No Longer Available)	414415-9 (No Longer Available)	183064-0 (Set) [159018-9 (No Longer Available)]
42	Housing (L)	411952-4 (No Longer Available)	410278-1 (Includes Item 47)	414416-7 (No Longer Available)	183064-0 (Set) (Old 159019-7)
43	P.H. Screw M4x22	911143-2			
46	Sleeve 5	257553-2	(Discontinued)		
47	Hex Nut M4	931102-0			

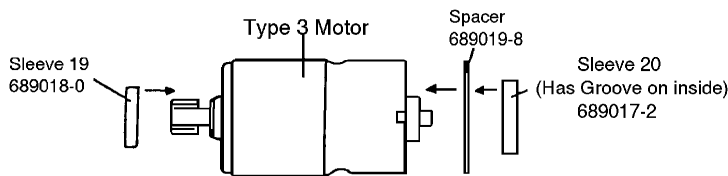
Above parts are completely interchangeable as a set.

When replacing Type 1 Housings (L) or (R), replace them with complete set of Type 2, 3 or 4 parts.

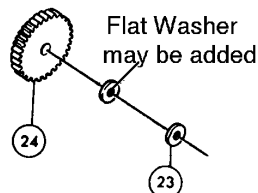
Type 4 Housings replace Type 3 Housings.

SERVICE NOTE

1. Type 3 Motor will fit into Type 2 Housing if the following parts are added.



2. To strengthen the torque factor, a Flat Washer 8, Part No. 253215-0, can be added between Item No. 23 and Item No 24.



- 4 Model 6012HD *
- 4 Model 6012HDL
- 4 Model 6012HDQ *
- 4 Model 6012HDW
- 4 Model 6012HDW-E